

Chest Freezer

SCR-1497

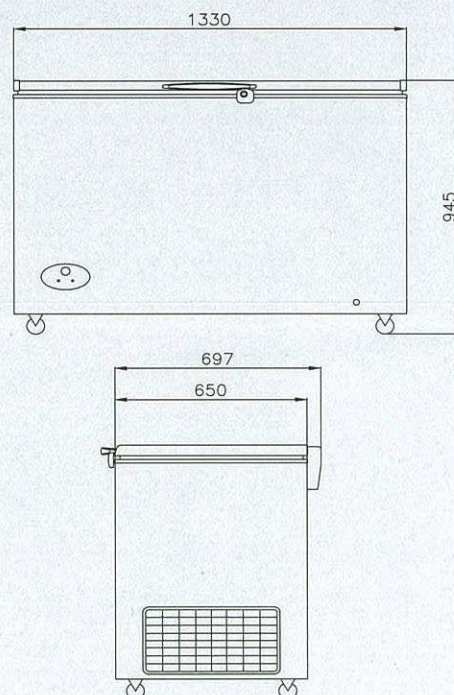


**NON
CFC**

**Temp.
- 20°C**

Specification

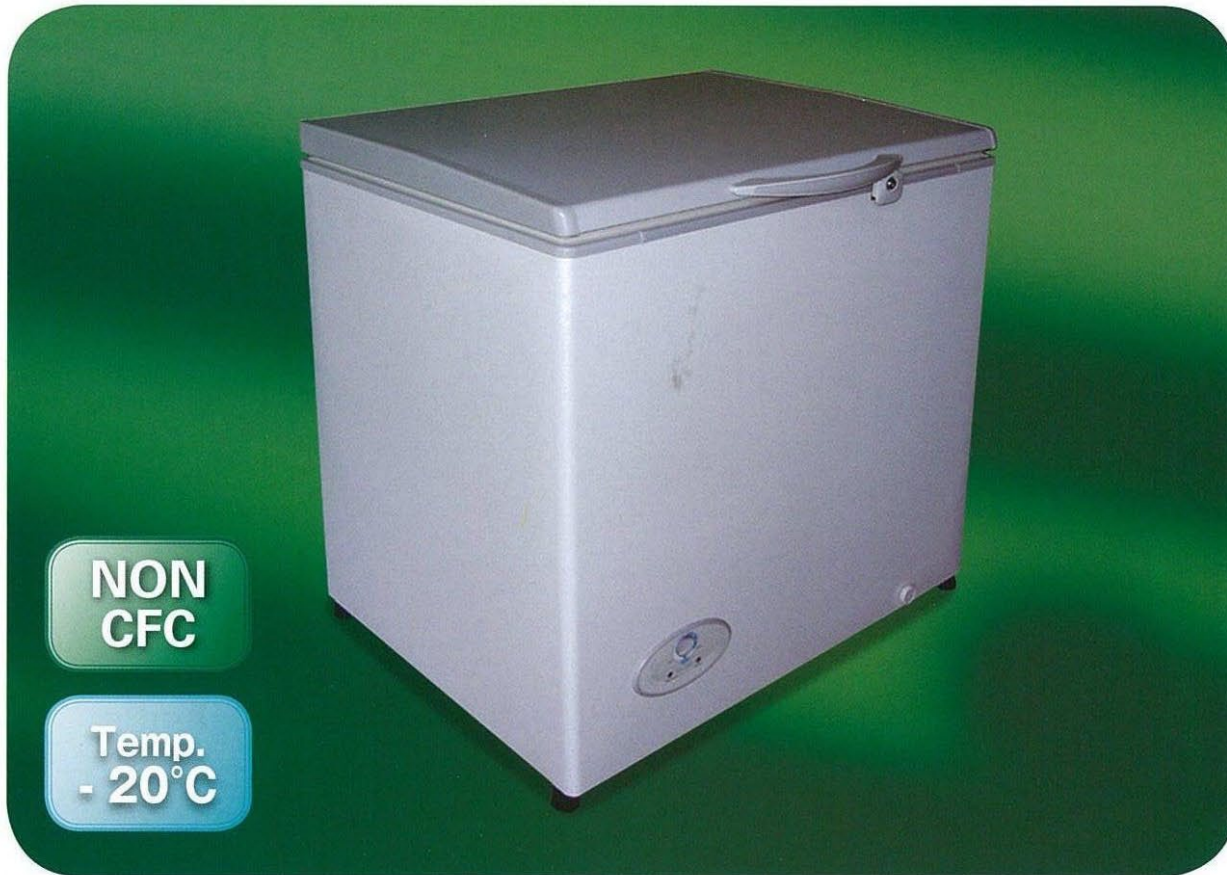
Model No.	SCR-1497
Classification	Chest Freezer
Internal Volume(Litre/Cu.Ft)	382 / 13.5
Inside Temperature	- 20 °C at Ambient Temperature 32°C
Temperature Control	Thermostat
Defrosting System	Off Cycle
Voltage Frequency	220 V 50 Hz
Compressor Rated Input	200 W
Colour of Body	GYN (Light Gray)
Refrigerant	R-134a
Inside Strage	3 Support Shelves ; 3 Basket Shelves
Door Lock	Yes
Lighting	Incandescent Lamp 15 W with TILT Switch
Thermometer	-
Caster	4 (φ 2 inch)
Insulation	Rigid Polyurethane Foam 75 mm. Thickness
External Dimensions W×D×H(mm)	1330 x 697 x 945
Packing Dimensions W×D×H(mm)	1415 x 785 x 1000
Net Weight(kgs.)	N/A
Gross Weight(kgs.)	N/A



Exterior and specification in this catalogue are subject to change without notice due to continual improvement.

Chest Freezer

SCR-697



Chest Freezer

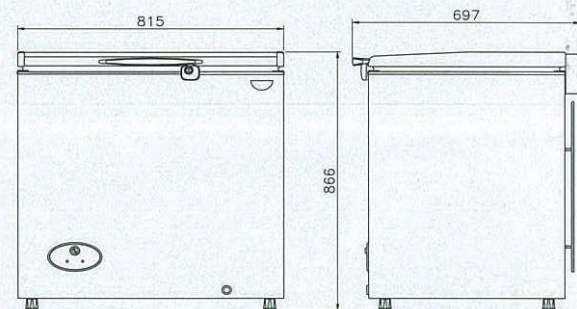
NON
CFC

Temp.
- 20°C

Specification

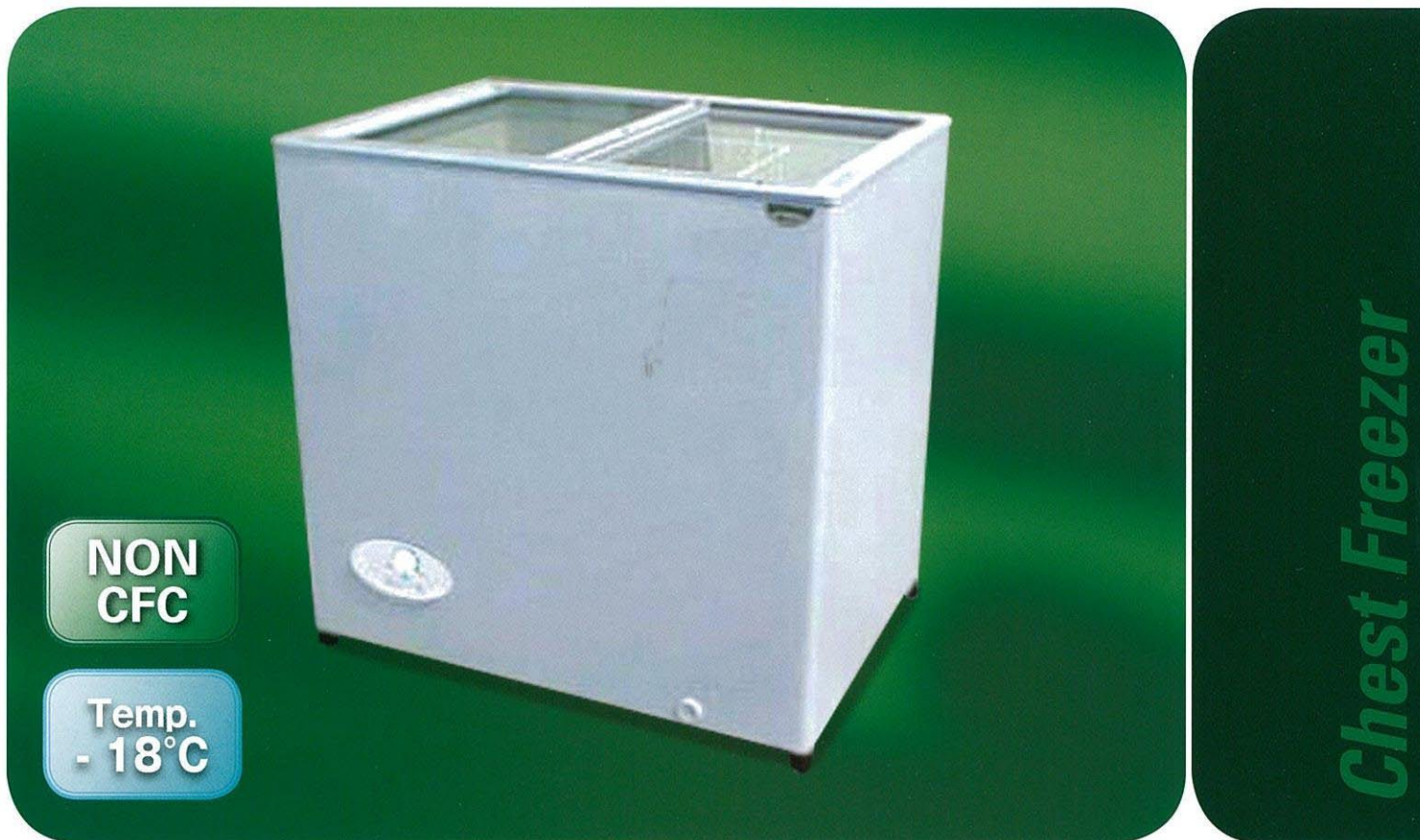
Model No.	SCR-697
Classification	Chest Freezer
Internal Volume(Litre/Cu.Ft)	184 /6.5
Inside Temperature	- 20 °C at Ambient Temperature 32°C
Temperature Control	Thermostat
Defrosting System	Off Cycle
Voltage Frequency	220 V 50 Hz
Compressor Rated Input	150 W
Colour of Body	GYN (Light Gray)
Refrigerant	R-134a
Inside Strage	1 Basket Shelf ; 1 Support Shelf
Door Lock	Yes
Lighting	No (Option)
Thermometer	No (Option)
Caster	No (Option)
Insulation	Rigid Polyurethane Foam 60 mm. Thickness
External Dimensions W×D×H(mm)	815 x 697 x 866
Packing Dimensions W×D×H(mm)	896 x 725 x 920
Net Weight(kgs.)	49.5
Gross Weight(kgs.)	54.5

Exterior and specification in this catalogue are subject to change without notice due to continual improvement.



Chest Freezer

SCR-697G



**NON
CFC**

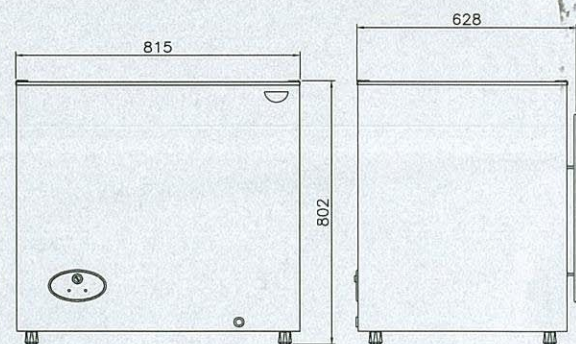
**Temp.
-18°C**

Chest Freezer

Specification

Model No.	SCR-697G
Classification	Chest Freezer
Internal Volume(Litre/Cu.Ft)	170 / 6.0
Inside Temperature	- 18 °C at Ambient Temperature 32°C
Temperature Control	Thermostat
Defrosting System	Off Cycle
Voltage Frequency	220 V 50 Hz
Compressor Rated Input	150 W
Colour of Body	GYN (Light Gray)
Refrigerant	R-134a
Inside Strage	1 Basket Shelf ; 1 Support Shelf
Door Lock	Yes
Lighting	-
Thermometer	No
Door	Glasses (2 Slided Glasses)
Caster	Yes
Insulation	Rigid Polyurethane Foam (Non CFCs) 60 mm. Thickness
External Dimensions W×D×H(mm)	815 x 628 x 802
Packing Dimensions W×D×H(mm)	896 x 725 x 860
Net Weight(kgs.)	43.0
Gross Weight(kgs.)	53.0

Exterior and specification in this catalogue are subject to change without notice due to continual improvement.



Chest Freezer

SCR-997



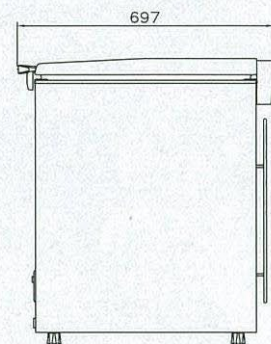
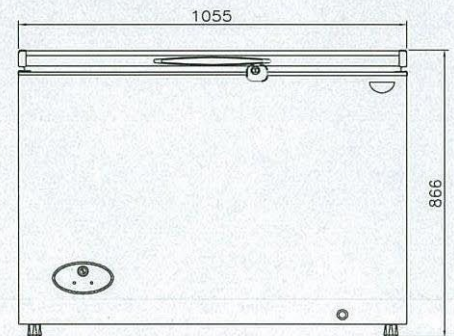
NON
CFC

Temp.
- 20°C

Chest Freezer

Specification

Model No.	SCR-997
Classification	Chest Freezer
Internal Volume(Litre/Cu.Ft)	269 / 9.5
Inside Temperature	- 20 °C at Ambient Temperature 32°C
Temperature Control	Thermostat
Defrosting System	Off Cycle
Voltage Frequency	220 V 50 Hz
Compressor Rated Input	175 W
Colour of Body	GYN (Light Gray)
Refrigerant	R-134a
Inside Strage	2 Basket Shelves ; 2 Support Shelves
Door Lock	Yes
Lighting	No (Option)
Thermometer	No (Option)
Caster	No (Option)
Insulation	Rigid Polyurethane Foam 60 mm. Thickness
External Dimensions WxDxH(mm)	1055 x 697 x 896
Packing Dimensions WxDxH(mm)	1140 x 730 x 955
Net Weight(kgs.)	57.0
Gross Weight(kgs.)	63.0



Exterior and specification in this catalogue are subject to change without notice due to continual improvement.